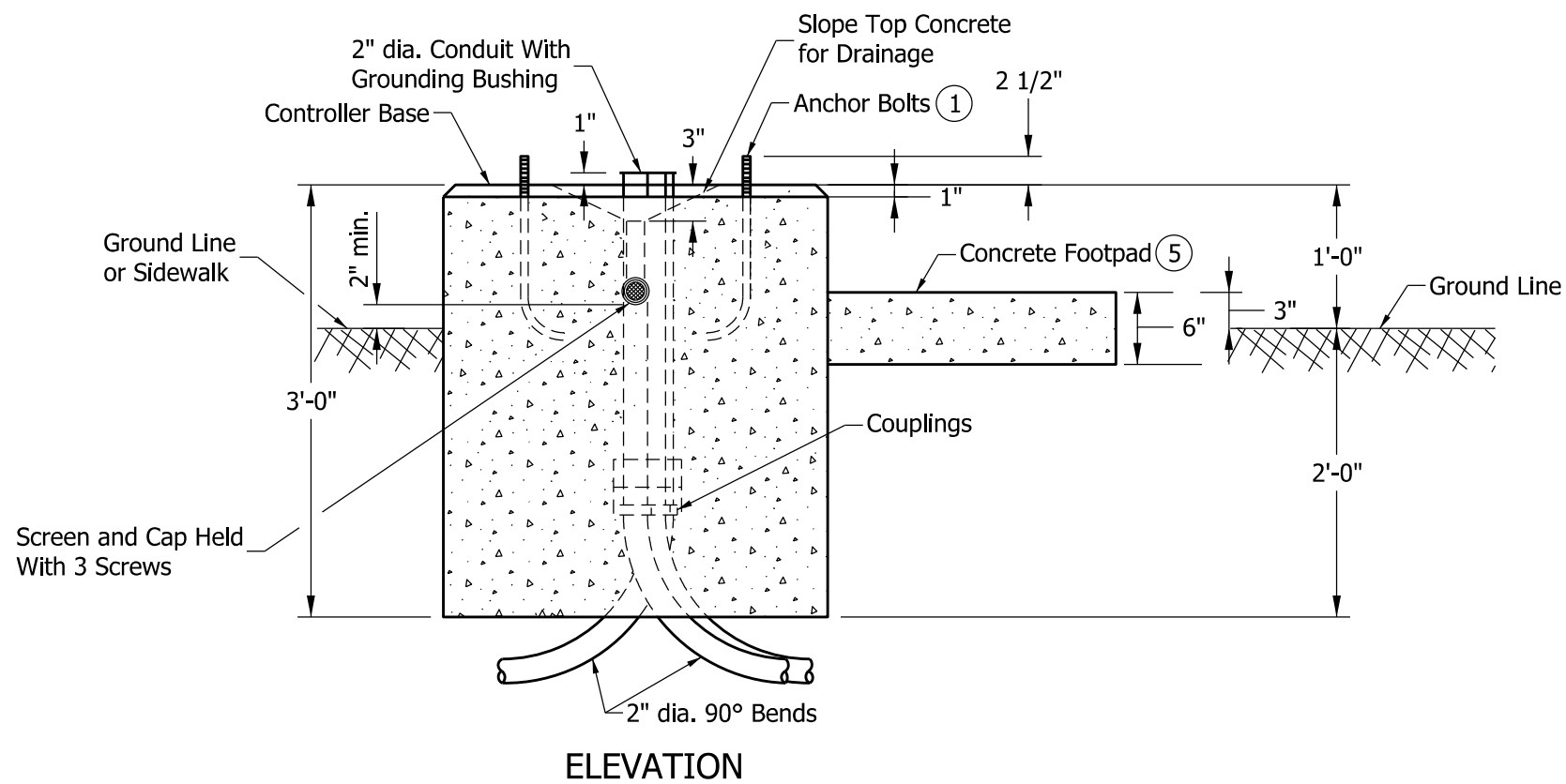
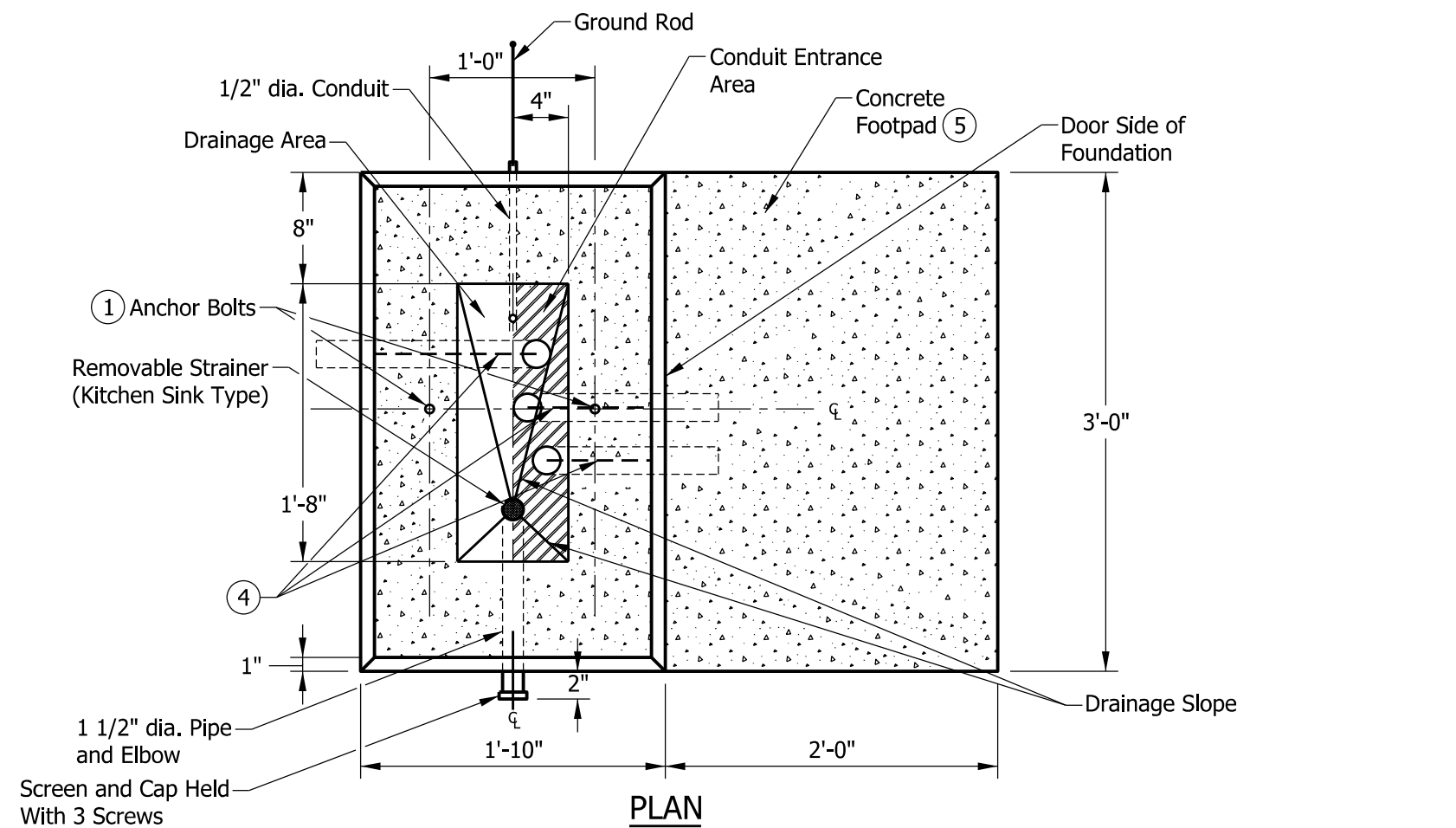


NOTES:

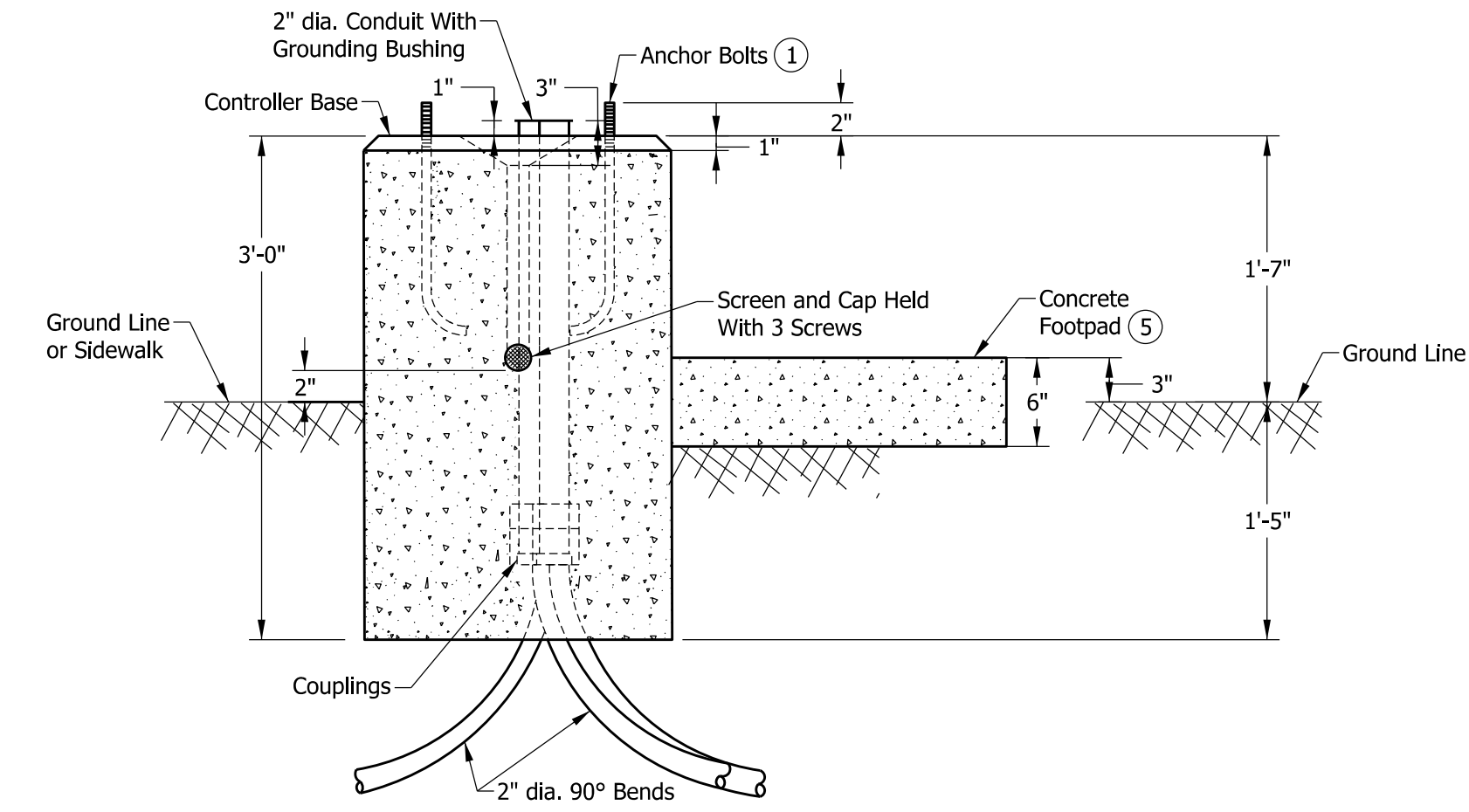
- ① See Standard Drawing E 805-SGPB-01 for anchor bolt details.
- 2. Install minimum 3 - 2" dia. conduits for each foundation.
- 3. Conduits not used shall be capped below grade. More inlets shall be installed as required on plans.
- ④ Make a permanent line on top of the concrete foundation indicating the direction of the 2" conduits' exit.
- ⑤ Concrete footpad shall be constructed of the same class concrete as the foundation.



INDIANA DEPARTMENT OF TRANSPORTATION	
SIGNAL CONTROLLER CABINET FOUNDATION TYPE P-1	
SEPTEMBER 2013	
STANDARD DRAWING NO.	E 805-SGCF-01
	/s/ Alfredo B. Hanza 02/22/13 DESIGN STANDARDS ENGINEER DATE
	/s/ Mark A. Miller 03/27/13 CHIEF ENGINEER DATE



PLAN

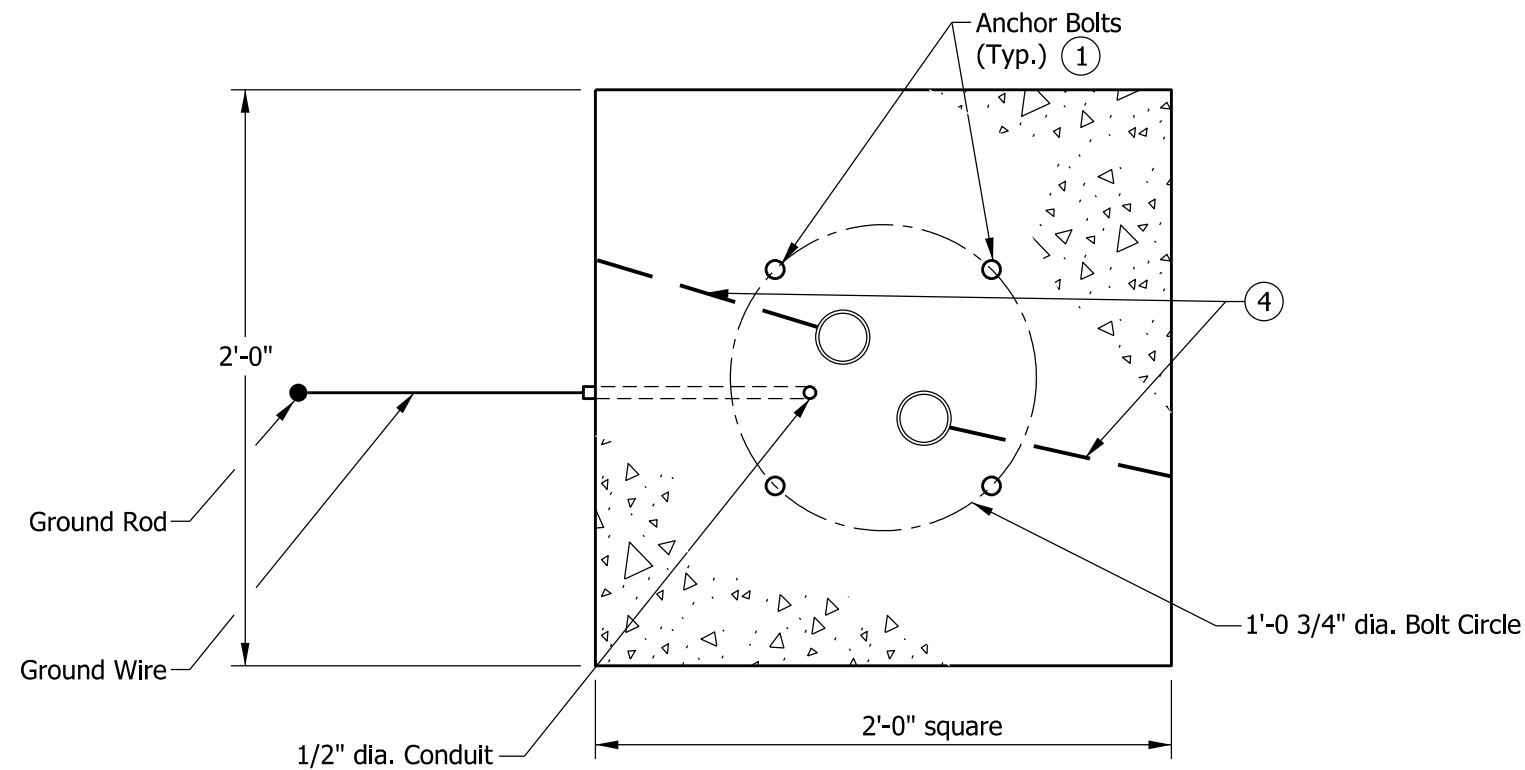


ELEVATION

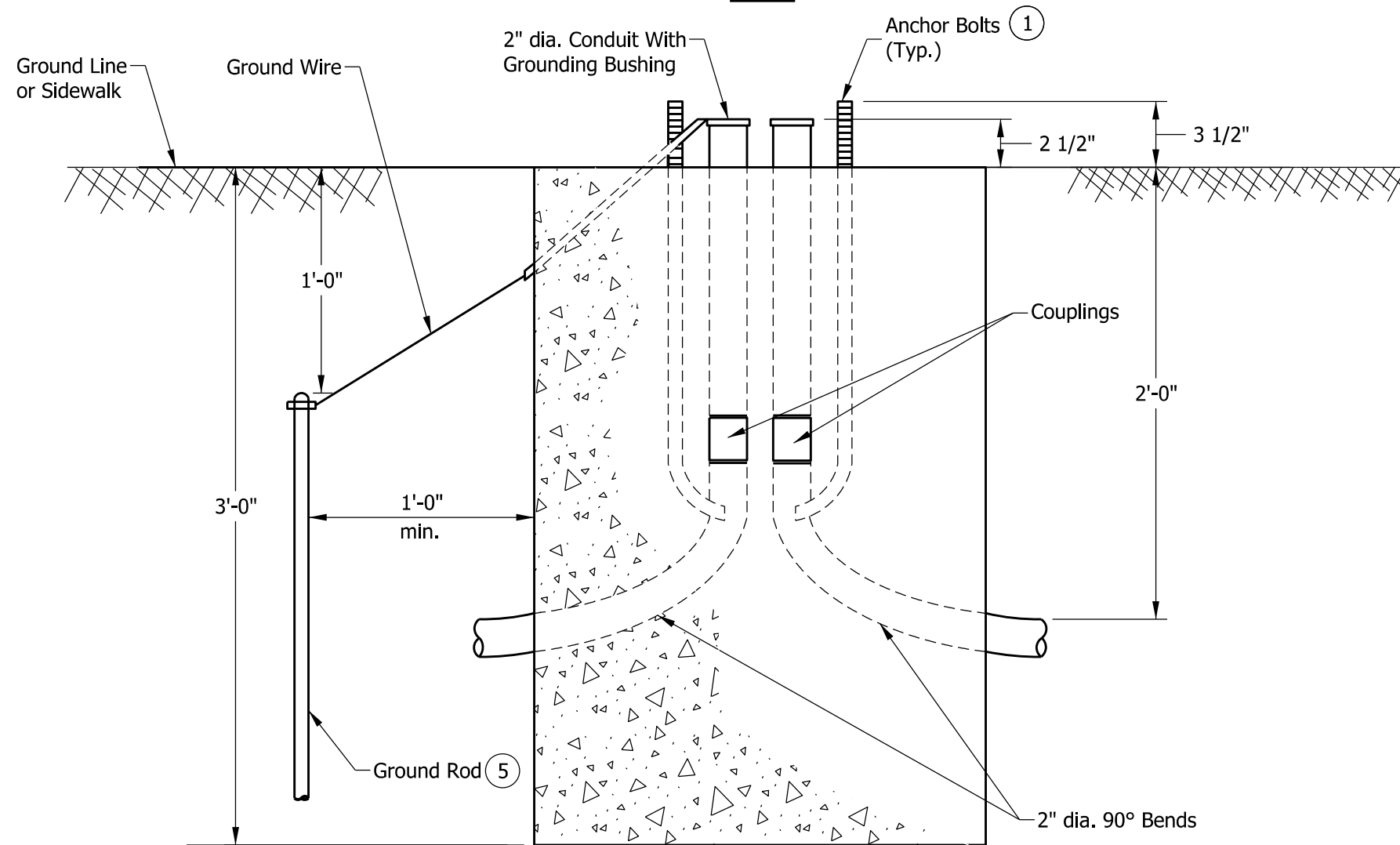
NOTES:

- ① See Standard Drawing E 805-SGPB-01 for anchor bolt details.
- 2. Install minimum 3 - 2" dia. conduits for each foundation.
- 3. Conduits not used shall be capped below grade. More inlets shall be installed as required on plans.
- ④ Make a permanent line on top of the concrete foundation indicating the direction of the 2" conduits' exit.
- ⑤ Concrete footpad shall be constructed of the same class concrete as the foundation.

INDIANA DEPARTMENT OF TRANSPORTATION	
SIGNAL CONTROLLER CABINET FOUNDATION TYPE M	
SEPTEMBER 2013	
STANDARD DRAWING NO.	E 805-SGCF-02
	/s/ Alfredo B. Hanza 02/22/13 DESIGN STANDARDS ENGINEER DATE
	/s/ Mark A. Miller 03/27/13 CHIEF ENGINEER DATE



PLAN



ELEVATION

GENERAL NOTES:

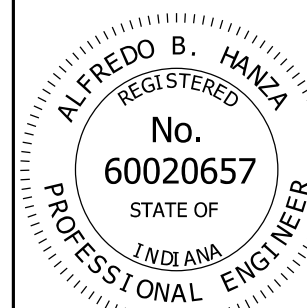
- ① See Standard Drawing E 805-SGPB-01 for anchor bolt details.
- 2. A minimum of two 2-in. dia. conduit inlets shall be installed for each foundation.
- 3. Conduit inlets not used shall be capped below grade. More inlets shall be installed as required on plans.
- ④ Make a permanent line on top of the concrete foundation indicating the direction of the 2-in. conduits' exit.
- ⑤ The ground rod has length 8 ft.

INDIANA DEPARTMENT OF TRANSPORTATION

SIGNAL PEDESTAL
FOUNDATION TYPE A

SEPTEMBER 2013

STANDARD DRAWING NO. E 805-SGCF-03

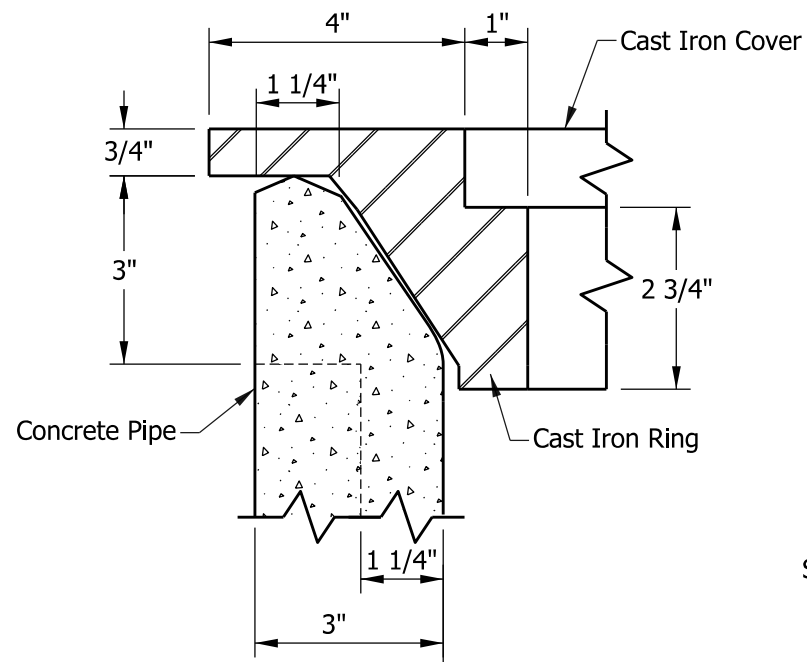


/s/ Alfredo B. Hanza 02/27/13

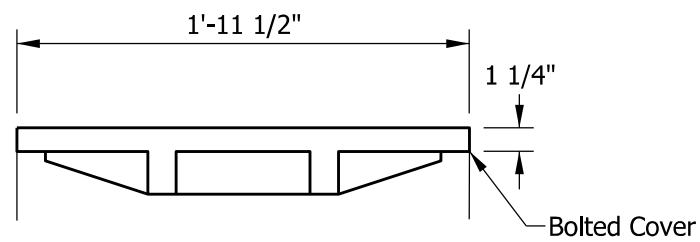
DESIGN STANDARDS ENGINEER DATE

/s/ Mark A. Miller 03/27/13

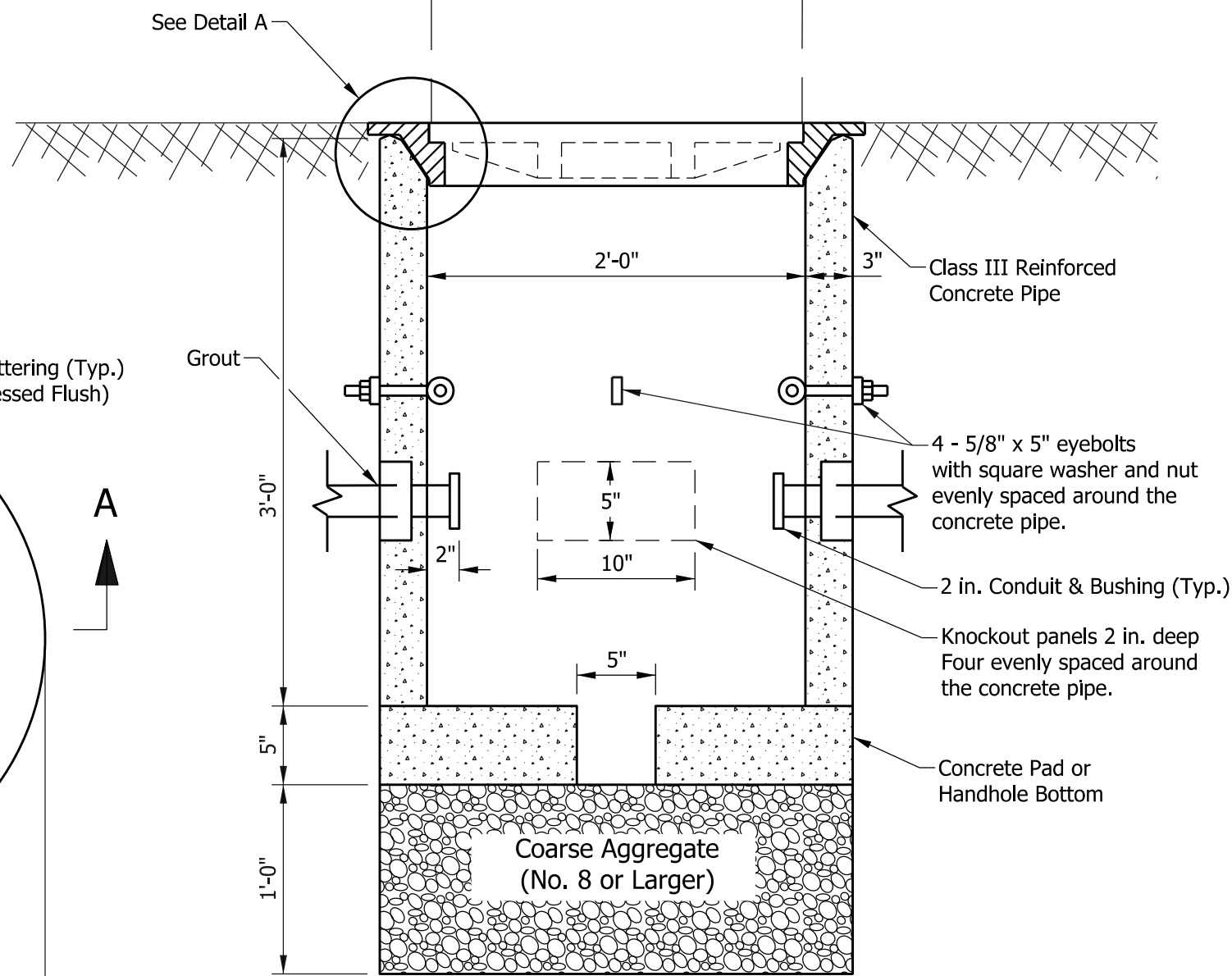
CHIEF ENGINEER DATE



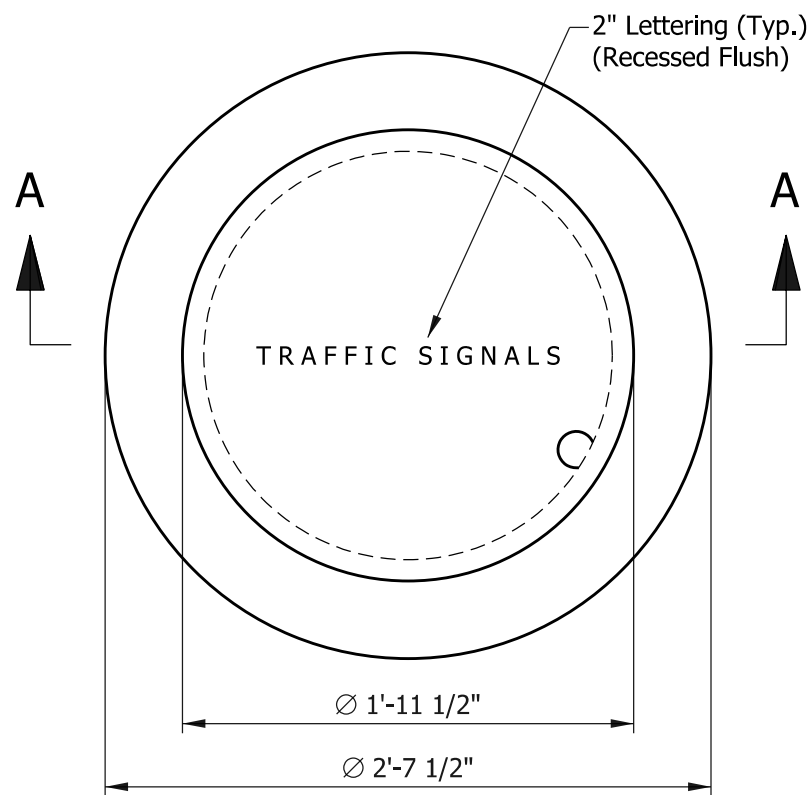
DETAIL A



Bolted Cover



SECTION A-A

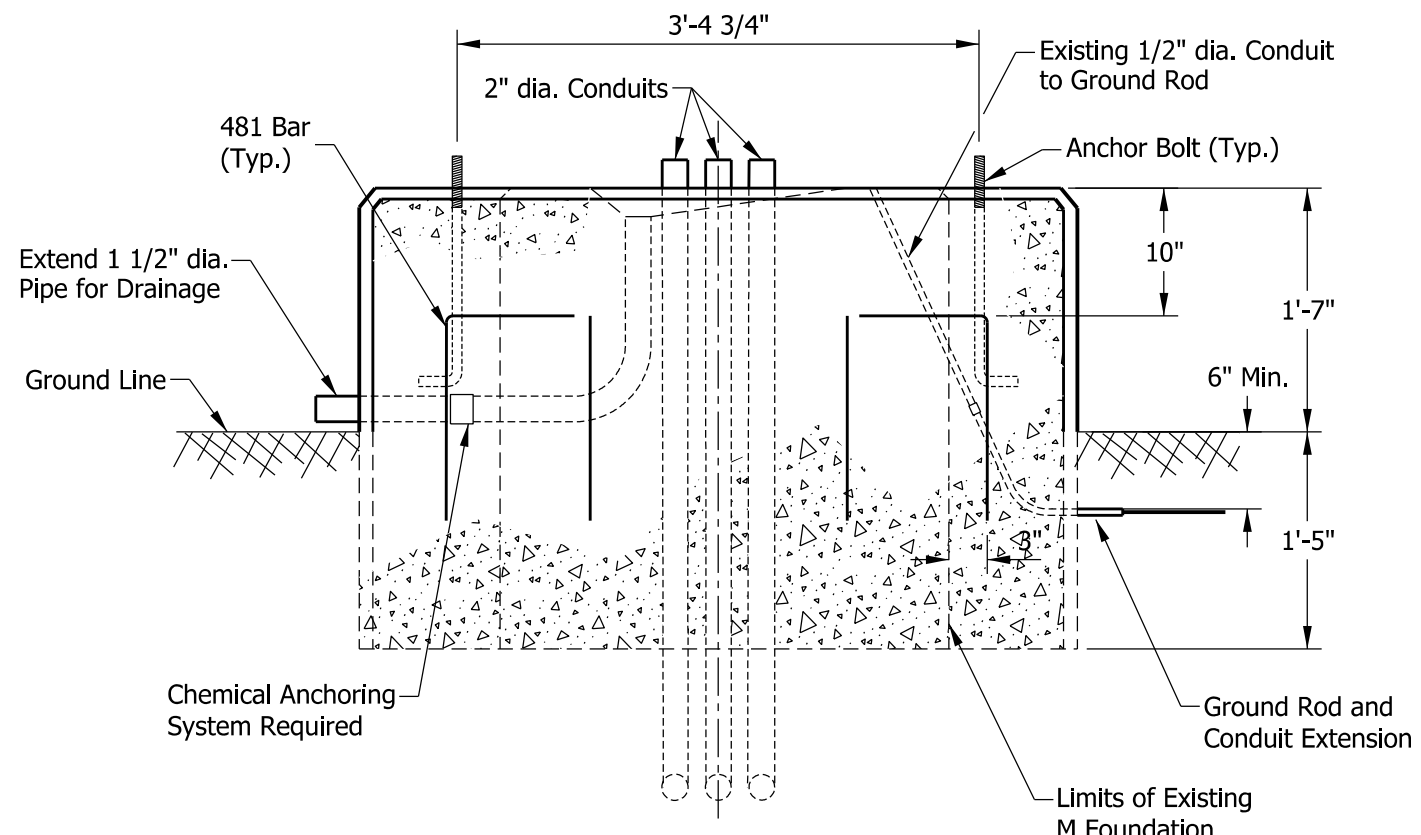


PLAN

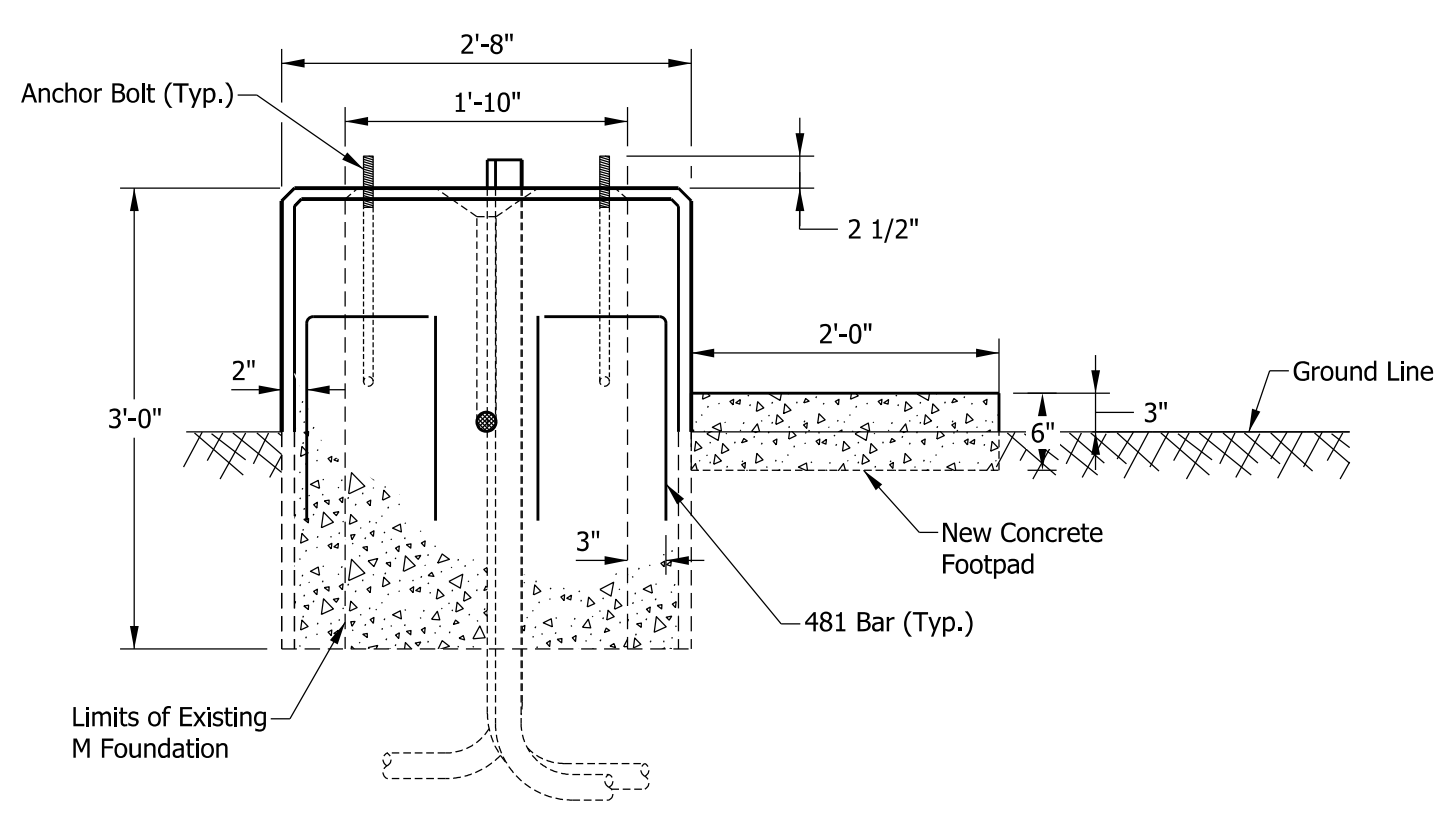
NOTES:

1. Approximate weight for cast iron ring and cover shall be 320 lb.
2. The ring and cover shall be secure. Attachment hardware shall be countersunk.
3. See Standard Drawing E 805-SGCF-06 for Signal Handhole, Type II, Polymer Concrete and cover.

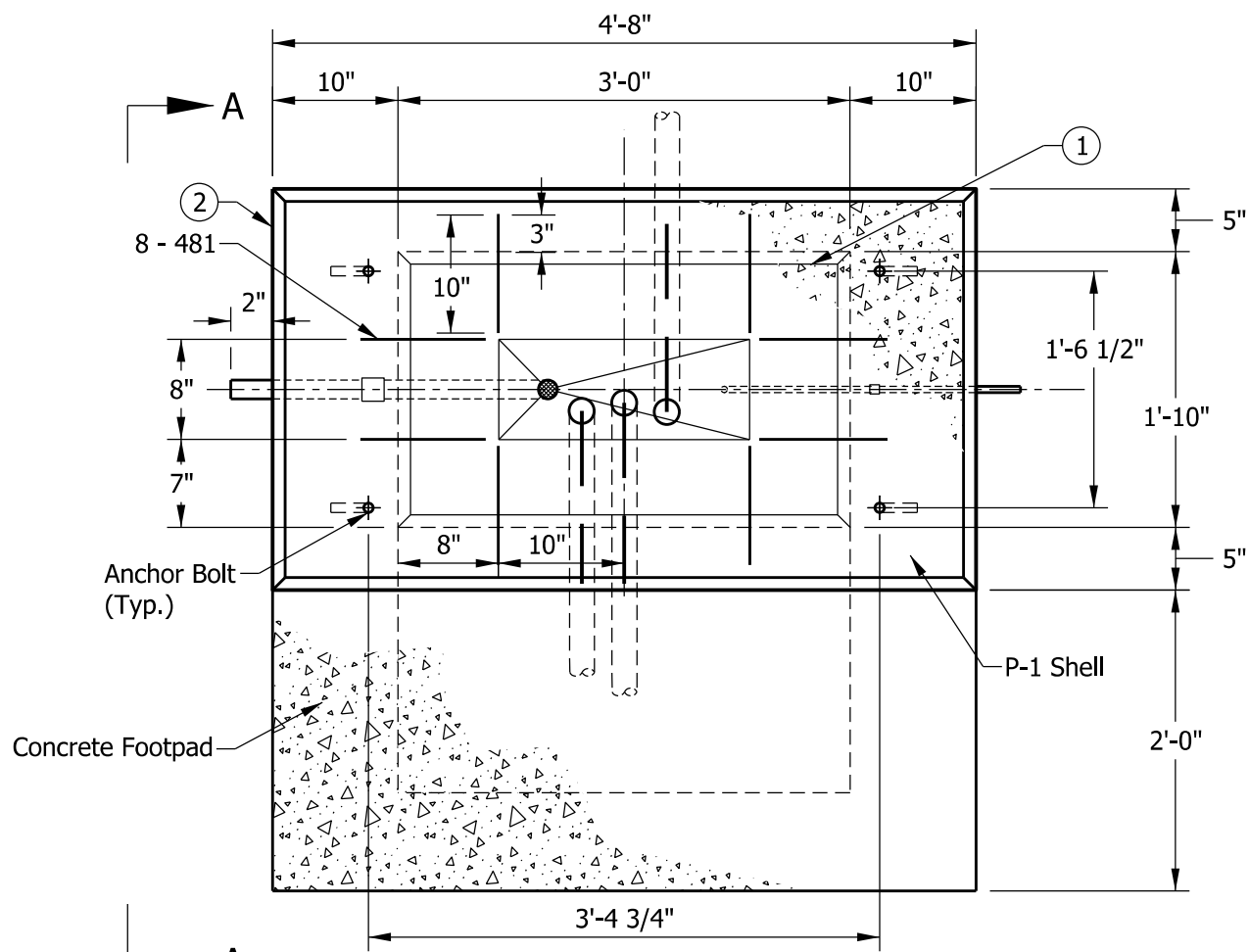
INDIANA DEPARTMENT OF TRANSPORTATION	
SIGNAL HANDHOLE, TYPE I CONCRETE	
SEPTEMBER 2013	
STANDARD DRAWING NO.	E 805-SGCF-04
	/s/ <i>Alfredo B. Hanza</i> 02/22/13 DESIGN STANDARDS ENGINEER DATE
	/s/ <i>Mark A. Miller</i> 03/27/13 CHIEF ENGINEER DATE



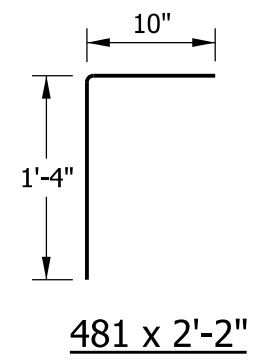
FRONT VIEW



SIDE VIEW A-A

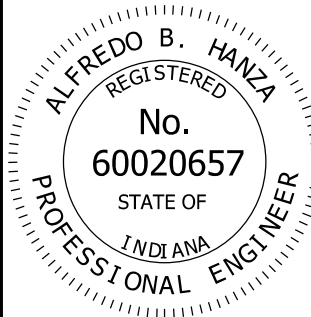


PLAN



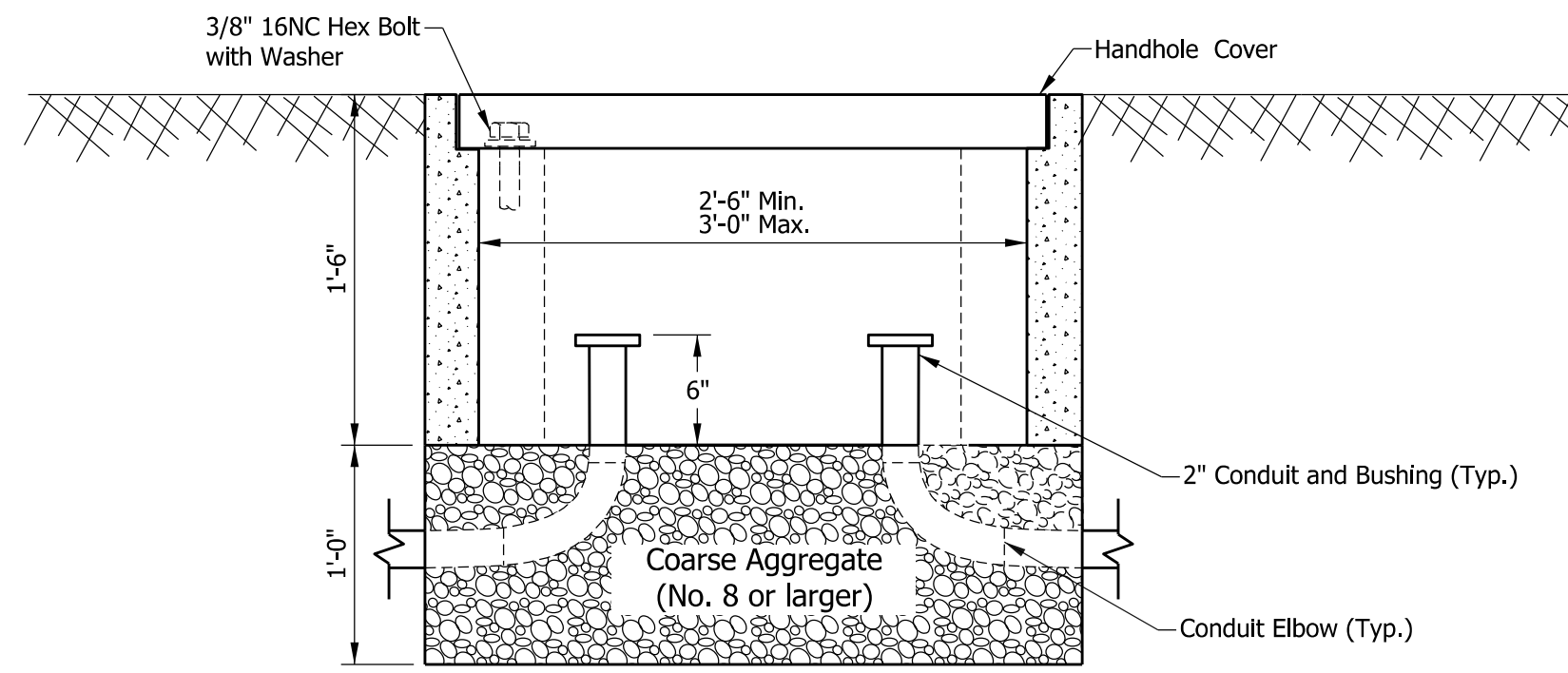
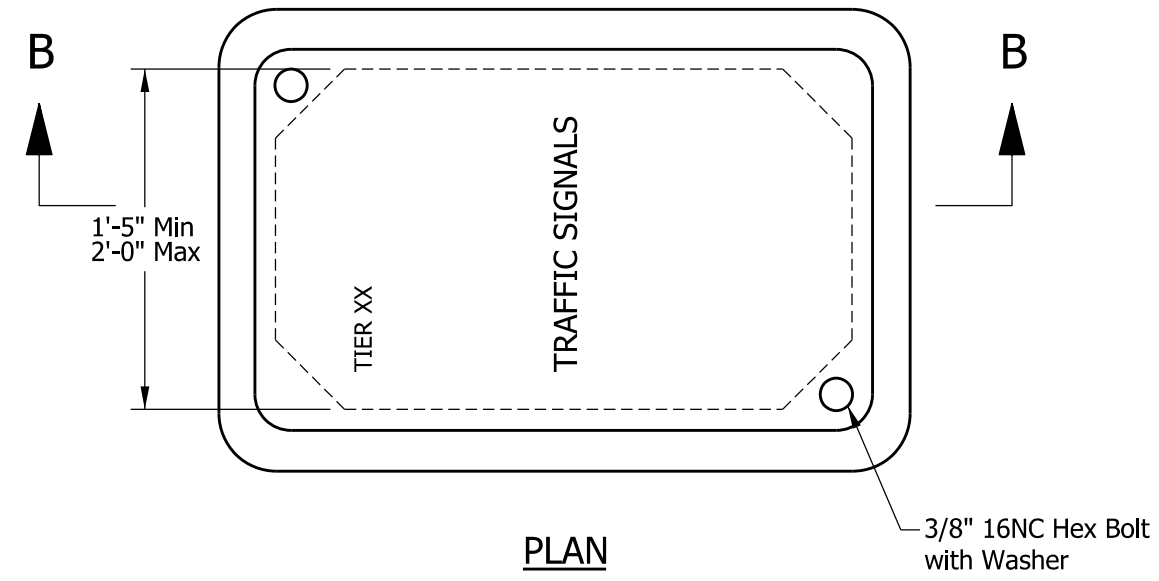
NOTES:

- ① See Standard Drawing E 805-SGCF-02 for Type M foundation details.
- ② See Standard Drawing E 805-SGCF-01 for Type P-1 foundation details.
- 3. Existing anchor bolts shall be cut at or below top of existing foundation.
- 4. See Standard Drawing E 805-SGCF-03 for General Notes.

INDIANA DEPARTMENT OF TRANSPORTATION									
EXISTING M FOUNDATION MODIFIED TO P-1 FOUNDATION									
SEPTEMBER 2013									
STANDARD DRAWING NO.	E 805-SGCF-05								
	<table style="width: 100%; border-collapse: collapse;"> <tr> <td style="padding: 2px 5px;"><i>/s/ Alfredo B. Hanza</i></td> <td style="text-align: right; padding: 2px 5px;">02/28/13</td> </tr> <tr> <td style="padding: 2px 5px;">DESIGN STANDARDS ENGINEER</td> <td style="text-align: right; padding: 2px 5px;">DATE</td> </tr> <tr> <td style="padding: 2px 5px;"><i>/s/ Mark A. Miller</i></td> <td style="text-align: right; padding: 2px 5px;">03/27/13</td> </tr> <tr> <td style="padding: 2px 5px;">CHIEF ENGINEER</td> <td style="text-align: right; padding: 2px 5px;">DATE</td> </tr> </table>	<i>/s/ Alfredo B. Hanza</i>	02/28/13	DESIGN STANDARDS ENGINEER	DATE	<i>/s/ Mark A. Miller</i>	03/27/13	CHIEF ENGINEER	DATE
<i>/s/ Alfredo B. Hanza</i>	02/28/13								
DESIGN STANDARDS ENGINEER	DATE								
<i>/s/ Mark A. Miller</i>	03/27/13								
CHIEF ENGINEER	DATE								

NOTE:

1. See Standard Drawing E 805-SGCF-04 for Signal Handhole, Type I, Concrete and cover.



INDIANA DEPARTMENT OF TRANSPORTATION	
SIGNAL HANDHOLE, TYPE II POLYMER CONCRETE	
SEPTEMBER 2013	
STANDARD DRAWING NO.	E 805-SGCF-06
	/s/ <i>Alfredo B. Hanza</i> 02/22/13 DESIGN STANDARDS ENGINEER DATE
	/s/ <i>Mark A. Miller</i> 03/27/13 CHIEF ENGINEER DATE